

# SIT/STAND PU

Smart Ergonomic Workspace Solutions



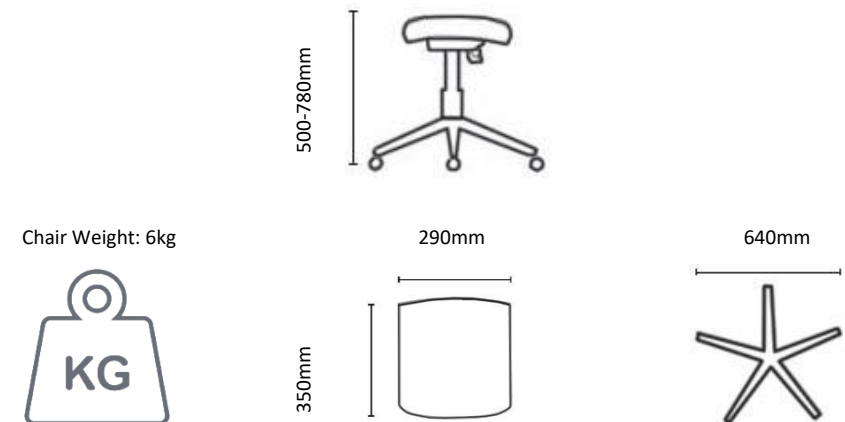
## Industrial Beauty

The Sit-Stand Polyurethane Operators Stool has a no nonsense design which is perfect for laboratory or factory environments. The seat is manufactured from durable black Integral Skin Polyurethane foam and the stool can be supplied with an optional draughting conversion to suit higher workstations. The Sit-Stand Polyurethane Operators Stool features an easily accessible height control and the draughting conversion includes Karo's unique rigid footring.

### Features:

- Black Integral Skin Polyurethane foam seat with clutch-handle for easy movement.
- Selection of bases, viz. Black Nylon 5-star, Polished Aluminium 5-star or Black Round Nylon. The 5-star bases are fitted with either 60mm castors or glides.
- Optional Karo's unique rigid footring with a durable chrome outer-ring and nylon support structure.
- Available seat heights are 520-700mm, 600-780mm (including Footring), and 670-850mm (including Footring).
- 2 Year Warranty.

### SIT/STAND PU SPECIFICATIONS



Chair Weight: 6kg

